

INSTRUCTION MANUAL
Air Supply Requirements

1. Supply tool with 90 psig (6.2 bar) of clean, dry air. Higher pressure drastically reduces tool life.
2. Connect tool to air line using pipe, hose and fitting sizes shown in the diagram on page 12.
3. Do not install a quick coupler directly into the tool handle.

Lubrication

1. Motor - Use an air line lubricator with SAE #10 oil, adjusted to two drops per minute. If an air line lubricator cannot be used, add air motor oil to the inlet once a day.
2. Gears - Use grease gun C098689 with Mobilux EP-2 or equal grease. Grease fitting is on side of angle head.

Noise & Vibration Declaration*

Sound pressure level 101.3 dB(A) in accordance with EN ISO 15744. For sound power, add 10 dB(A).
 Vibration value 3.0 m/s², re. ISO 8662-13.

Maintenance

1. Disassemble and inspect air motor every three months if the tool is used every day. Replace damaged or worn parts.
2. High wear parts are underlined in the parts list.

* These declared values were obtained by laboratory type testing in compliance with the stated standards and are not adequate for use in risk assessments. Values measured in individual work places may be higher than the declared values. The actual exposure values and risk of harm experienced by an individual user are unique and depend upon the way the user works, the workpiece and the workstation design, as well as upon the exposure time and the physical condition of the user. We, Chicago Pneumatic, cannot be held liable for the consequences of using the declared values, instead of values reflecting the actual exposure, in an individual risk assessment in a work place situation over which we have no control.

EC DECLARATION OF CONFORMITY

We, Chicago Pneumatic Tool Company, 1800 Overview Road, Rock Hill, SC 29730 USA, declare under our sole responsibility that the product to which this declaration relates, is in conformity with the requirements of the Council Directive of June 1998 on the approximation of the laws of the Member States relating to machinery (98/37/EC).

Machine Name CP875 Mini-Angle Die Grinder / CP876 Die Grinder
Machine Type Power tool equipped with 1/4 in. or 6 mm collet chuck for use with various burrs for polishing and grinding - No other use is permitted.

Serial No. Tools with No. 94001A or higher

Technical Data


1/4 in. or 6 mm collet
 Free speed 22,500 RPM (CP875), Free speed 30,000 RPM (CP876)
 Air pressure 90 psi (6.2 bar)

Air consumption 22 cfm (CP875), Air consumption 24 cfm (CP876)

Harmonized Standards Applied EN792-9

National Standards Applied ISO 8662-13, EN ISO 15744

Name and Position of Issuer Stéphane Rakotoarivelo, General Manager, CP TechnoCenter, Saint Herblain, France

Signature of Issuer 

Place and Date of Issue 44818 Saint Herblain, FRANCE, February 5, 2007

MANUFACTURER'S LIMITED WARRANTY

Limited Warranty: The "Products" of the Chicago Pneumatic Tool Company ("CP") are warranted to be free from defects in material and workmanship for one year from the date of purchase. This Warranty applies only to Products purchased new from CP or its authorized dealers. Of course, this Warranty does not apply to products which have been abused, misused, modified, or repaired by someone other than CP or its Authorized Service Representatives. If a CP Product proves defective in material or workmanship within one year after purchase, return it to any CP Factory Service Center or Authorized Service Center for CP tools, transportation prepaid, enclosing your name and address, adequate proof of date of purchase, and a short description of the defect. CP will, at its option, repair or replace defective Products free of charge. Repairs or replacements are warranted as described above for the remainder of the original warranty period. CP's sole liability and your exclusive remedy under this Warranty is limited to repair or replacement of the defective Product. **(There Are No Other Warranties Expressed Or Implied And CP Shall Not Be Liable For Incidental, Consequential, Or Special Damages, Or Any Other Damages, Costs Or Expenses Excepting Only The Cost Or Expense Of Repair Or Replacement As Described Above.)**

© Copyright 2007, Chicago Pneumatic, 1800 Overview Drive, Rock Hill, SC 29730 USA

All rights reserved. Any unauthorized use or copying of the contents or part thereof is prohibited. This applies in particular to trademarks, model denominations, part numbers and drawings.

Use only authorized parts. Any damage or malfunction caused by the use of unauthorized parts is not covered by Warranty or Product Liability.


WARNING

To reduce risk of injury, everyone using, installing, repairing, maintaining, changing accessories on, or working near this tool must read and understand these instructions before performing any such task.

The goal of Chicago Pneumatic is to produce tools that help you work safely and efficiently. The most important safety device for this or any tool is YOU. Your care and good judgment are the best protection against injury. All possible hazards cannot be covered here, but we have tried to highlight some of the important ones.

For Additional Safety Information Consult:

- ▲ Your employer, union and/or trade association.
- ▲ US Department of Labor (OSHA); www.osha.gov; Council of the European Communities europe.osha.eu.int
- ▲ "Safety Requirements for the Use, Care and Protection of Abrasive Wheels" (ANSI B7.1) and "Safety Code for Portable Air Tools" (ANSI B186.1) available from: www.ansi.org
- ▲ "Safety Requirements for Hand-Held Non-Electric Power Tools" available from: European Committee for Standardization, www.cenorm.be

Air Supply And Connection Hazards

- ▲ Never direct air at yourself or anyone else. Air under pressure can cause severe injury.
- ▲ Always shut off air supply, drain hose of air pressure and disconnect tool from air supply when not in use, before changing accessories or when making repairs.
- ▲ Whipping hoses can cause serious injury. Always check for damaged or loose hoses and fittings.
- ▲ Do not use quick disconnect couplings at tool. See instructions for correct setup.
- ▲ Whenever universal twist couplings are used, lock pins must be installed.
- ▲ Do not exceed maximum air pressure of 90 psi/6.2 bar or as stated on tool nameplate.

Entanglement Hazards

- ▲ Keep away from rotating spindle and accessory.
- ▲ Do not wear jewelry or loose clothing.
- ▲ Scalping can occur if hair is not kept away from tool and accessories.
- ▲ Choking can occur if neckwear is not kept away from tool and accessories.

Operating Hazards

- ▲ Never mount a grinding wheel, cut off wheel or router cutter on a die grinder or tire buffer. A grinding wheel or other accessory that bursts can cause very serious injury or death.
- ▲ Grinding accessory's rated speed must be equal to or greater than the speed of the die grinder.
- ▲ Use only mounted wheels or tire buffing accessories with adequate speed rating and the correct shaft diameter.
- ▲ Do not use wire brushes, drill bits, or any other accessory other than mounted wheels, burrs and tire buffing accessories.
- ▲ Damaged, worn or incorrectly mounted accessories can cause higher vibration. To reduce exposures to vibration ensure burring tools are sharp and this tool and all accessories are in proper working condition.

SAFETY INSTRUCTIONS

- ▲ Ensure that the workpiece is properly supported.
- ▲ Avoid direct contact with rotating spindle and accessory to prevent cutting of hands or other body parts. Wear gloves to help protect hands. Tool continues to run after the throttle lever has been released.
- ▲ Do not disable the lock off feature on the throttle lever.
- ▲ This tool and its accessories must not be modified.
- ▲ Operators and maintenance personnel must be physically able to handle the power of the tool and capable of performing the job task.
- ▲ Always wear impact-resistant eye and face protection when involved with or near the operation, repair or maintenance of the tool or changing accessories on the tool. Gloves and protective clothing are recommended.
- ▲ Even small projectiles can injure eyes and cause blindness.
- ▲ Be sure all others in the area are wearing impact-resistant eye and face protection.
- ▲ Daily measure the air tool speed with a tachometer to make sure it is not greater than the RPM marked on the grinding accessory.
- ▲ Maximize the gripping length of the accessory, it must not be less than .390 in. (10mm). Increased overhang of a mounted wheel reduces its permitted speed - Refer to manufacturer's recommendations and (ANSI B7.1)

Workplace Hazards

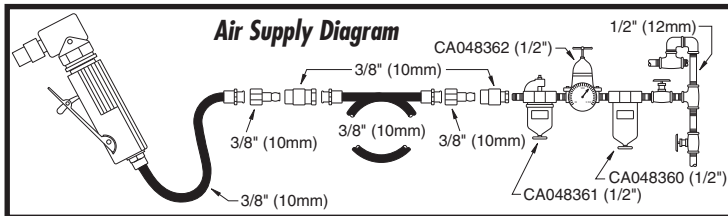
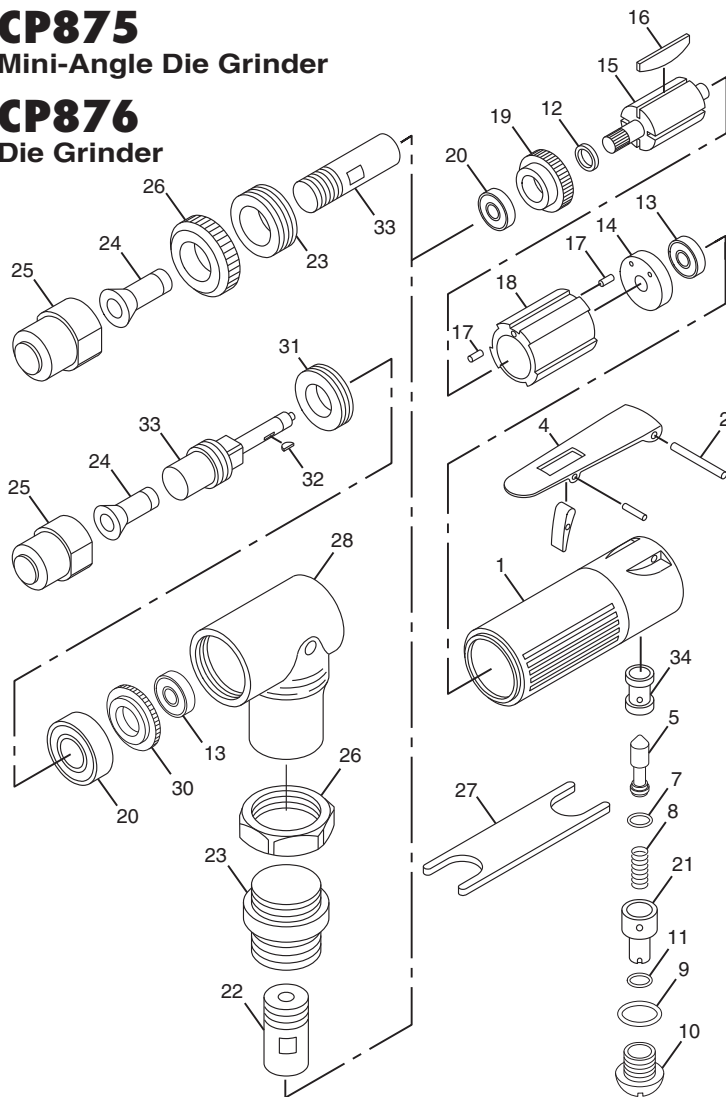
- ▲ Slip/Trip/Fall is a major cause of serious injury or death. Be aware of excess hose left on the walking or work surface.
- ▲ High sound levels can cause permanent hearing loss. Use hearing protection as recommended by your employer or OSHA regulation (see 29 CFR part 1910).
- ▲ Maintain a balanced body position and secure footing.
- ▲ Repetitive work motions, awkward positions and exposure to vibration can be harmful to hands and arms. If numbness, tingling, pain or whitening of the skin occurs, stop using tool and consult a physician.
- ▲ Avoid inhaling dust or handling debris from the work process which can be harmful to your health. Use dust extraction and wear respiratory protective equipment when working with materials which produce airborne particles.
- ▲ This tool is not intended for use in explosive atmospheres and is not insulated for contact with electric power sources.
- ▲ Potentially explosive atmospheres can be caused by dust and fumes resulting from sanding or grinding. Use dust extraction or suppression system which are suitable for the material being processed.
- ▲ Some dust created by power sanding, sawing, grinding, drilling and other construction activities contains chemicals known to the State of California to cause cancer and birth defects or other reproductive harm. Some examples of these chemicals are:
 - Lead from lead based paints
 - Crystalline silica bricks and cement and other masonry products
 - And Arsenic and chromium from chemically-treated rubber
 Your risk from these exposures varies, depending on how often you do this type of work. To reduce your exposure to these chemicals: work in a well ventilated area, and work with approved safety equipment, such as dust masks that are specially designed to filter out microscopic particles.
- ▲ For professional use only.

CP875

Mini-Angle Die Grinder

CP876

Die Grinder



Index No.	Part No.	Description	No. Req'd.
1	CA144786	Housing-Motor (Incl: Index No.34)	1
2	CA144787	Pin-Throttle	1
4	CA144788	Lever-Throttle (Incl: Lockout)	1
5	CA144789	Valve-Throttle	1
7	CA144842	O-Ring (P4)	1
8	CA144790	Spring-Throttle Valve	1
9	CA144843	O-Ring (P10)	1
10	CA144791	Plug-Throttle Valve	1
11	CA144844	O-Ring (P7)	1
12	CA144792	Collar-Rotor	1
13	CA144793	Bearing-Ball (CP875)	2
	CA144793	Bearing-Ball (CP876)	1
14	CA144794	Plate-Rear End	1
15	CA144795	Rotor	1
16	CA144796	Blade Set-Rotor (4)	1
17	CA144797	Pin-Roll	2
18	CA144798	Liner	1
19	CA144799	Plate-Front End (CP875)	1
	CA144855	Plate-Front End (CP876)	1
20	CA144800	Bearing-Ball (CP875)	2
	CA144800	Bearing-Ball (CP876)	1
21	CA144801	Regulator-Air	1
22	CA144802	Pinion (CP875)	1
23	CA144803	Nut-Clamp (CP875)	1
	CA144856	Nut-Clamp (CP876)	1
24	C138727	Collet (1/4 in.)	1
	C139289	Collet (6 mm)	1
25	C138728	Nut-Collet	1
26	CA144806	Cap-Housing (CP875)	1
	CA144857	Cap-Housing (CP876)	1
27	CA144807	Wrench-Spanner	2
28	CA144808	Head-Housing. (Incl: Grease Fitting)	1
30	CA144809	Gear-Bevel (CP875)	1
31	CA144810	Ring-Lock (CP875)	1
32	CA144811	Key (CP875)	1
33	CA144812	Spindle (CP 875)	1
	CA144858	Spindle (CP 876)	1
34	CA147745	Bushing-Throttle Valve	1
35	CA144813	Decal Safety Warning (not shown)	1
	CA145217	Motor Assy. (Incl: Index Nos. 13, 14, 15, 16, 17, 18, 19, 20 & 22) (CP875)	1
	CA145315	Motor Assy. (Incl: Index Nos. 13, 14, 15, 16, 17, 18, 19, 20 & 33) (CP876)	1
	CA145218	Gear Housing Assy. (Incl: Index Nos. 13, 20, 28, 30, 31, 32, & 33) (CP875)	1
	CA145219	Housing Assy. (Incl: Index Nos. 1, 5, 7, 8, 9, 10, 11 & 21) (CP875, CP876)	1

FOR DETAILED INFORMATION ABOUT CHICAGO PNEUMATIC AIR TOOLS AND EQUIPMENT CONTACT:

HEADQUARTERS LOCATION UNITED STATES

Chicago Pneumatic Tool Company
Automotive Division
1800 Overview Drive
Rock Hill, SC 29730
Telephone: 1-803-817-7000
1-800-367-2442 (USA only)
Fax: 1-800-228-9096

AUSTRALIA
Atlas Copco Tools Australia
3 Bessemer Street
Blacktown • Australia
Telephone: 02-6211-9482
Fax: 02-671-5915

BELGIQUE
Chicago Pneumatic Rep. Office
Avenue Sluysmans 10-4030
Liege • Belgium
Tel/Fax: 04-343 8150

BRASIL
Chicago Pneumatic Brasil
Av. Mascote 159 V. Sta. Catarina
04363-000
Sao Paulo/SP • Brasil
Telephone: (011) 562-7314
Fax: (011) 563-9208

CANADA
Chicago Pneumatic Tool Co.
Automotive Division
1800 Overview Drive
Rock Hill, SC 29730
Telephone: 1-803-817-7000
Fax: 1-800-228-9096

CENTRAL AMERICA
Contact Chicago Pneumatic/USA
for names of CP Authorized
Distributors in this area

FRANCE
Espace Lumière
Bâtiment S
57, Boulevard de la République
78403 Chatou Cédex. France
Telephone: (0) 1 30 09 60 00
Fax: (0) 1 30 71 96 70

GERMANY
Desoutter GMBH
Vehicle Service
Edmund-Seng-strasse 3-5
D-63477 Maintal, Germany
Telephone: 49-0611-270120/22
Fax: 49-0611-270140

INDIA
Chicago Pneumatic Sales
Chemtex House, First Floor
Main Street
Hiranadani Gardens
Powai, Mumbai 400076, India
Telephone: (22)25704907
(22)25708984
Fax: (22)25705042

ITALY
Desoutter Italiana S.R.L.
Viale Della Repubblica, 65
20035 Lisson (Milano)

MEXICO
Chicago Pneumatic Tool
Company Mexico
San Francisco #223
Valle Dorado, Tlalpanantla
C.P. 54020 • Mexico
Telephone: 525-378-0754
Fax: 525-378-0753

SOUTH AFRICA
Chicago Pneumatic Tool
Company, S.A.
20 Anvil Road
PO Box 105
Isando 1600, Transvaal
South Africa
Telephone: 011-9746761
Fax: 011-974-2324

SOUTH AMERICA
Contact Chicago Pneumatic/USA
for names of CP Authorized
Distributors in this area

SOUTHEAST ASIA
Chicago Pneumatic Tool
Company Regional Office
P.O. Box 1516
Unit 2103 - Citimark
28 Yuen Shun Circuit
Shatin
New Territories, Hong Kong
Telephone: (8522) 3570963
Fax: 852-763-1875

SPAIN
Desoutter S.A.
C. Serrano, 120
28006 Madrid, Spain
Telephone: 91 590 31 52
Fax: 91 590 31 61

SWEDEN
Chicago Pneumatic
Distributor Markets
Sickla Industriväg 7
S-131 34 Nacka • Sweden
Telephone: 46 8743 9329
Fax: 46-8743 9427

UNITED KINGDOM
Chicago Pneumatic
Tool Company, Ltd.
P.O. Box 241
Eaton Road
Hemel Hempstead, Herts HP2 7DR
England
Domestic: 01442-847703/06
Export: 01442-232420/17
Fax: 01442-2847723

Visit our website:
<http://www.cp.com>



PRINTED IN USA
KEK/02-07